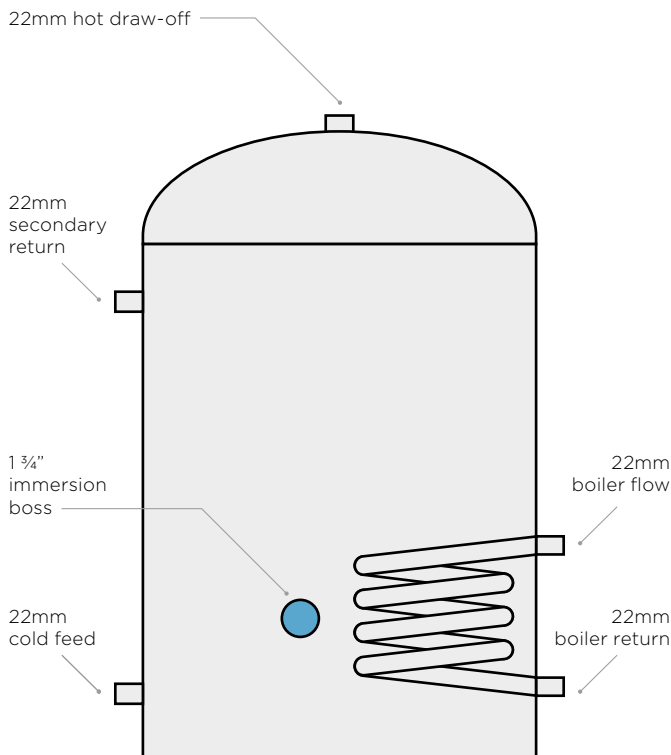


# STAINLESS-STEEL VENTED

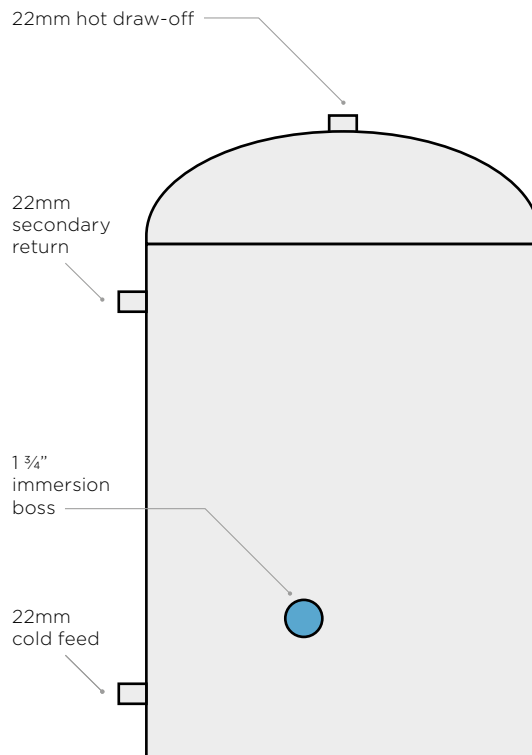
## TECHNICAL DATA



### Vented Indirect



### Vented Direct



Capacity (L)	96	114	117	140	162	206
Height (mm)*	900	1050	900	1050	1200	1500
Diameter (mm)*	400	400	450	450	450	450
Indirect Code	VSI09040VF	VSI10540VF	VSI09045VF	VSI10545VF	VSI12054VF	VSI15045VF
Direct Code	VSD09040VF	VSD10540VF	VSD09045VF	VSD10545VF	VSD12045VF	VSD15045VF

\*All dimensions are based on the cylinder shell only, insulation is not included